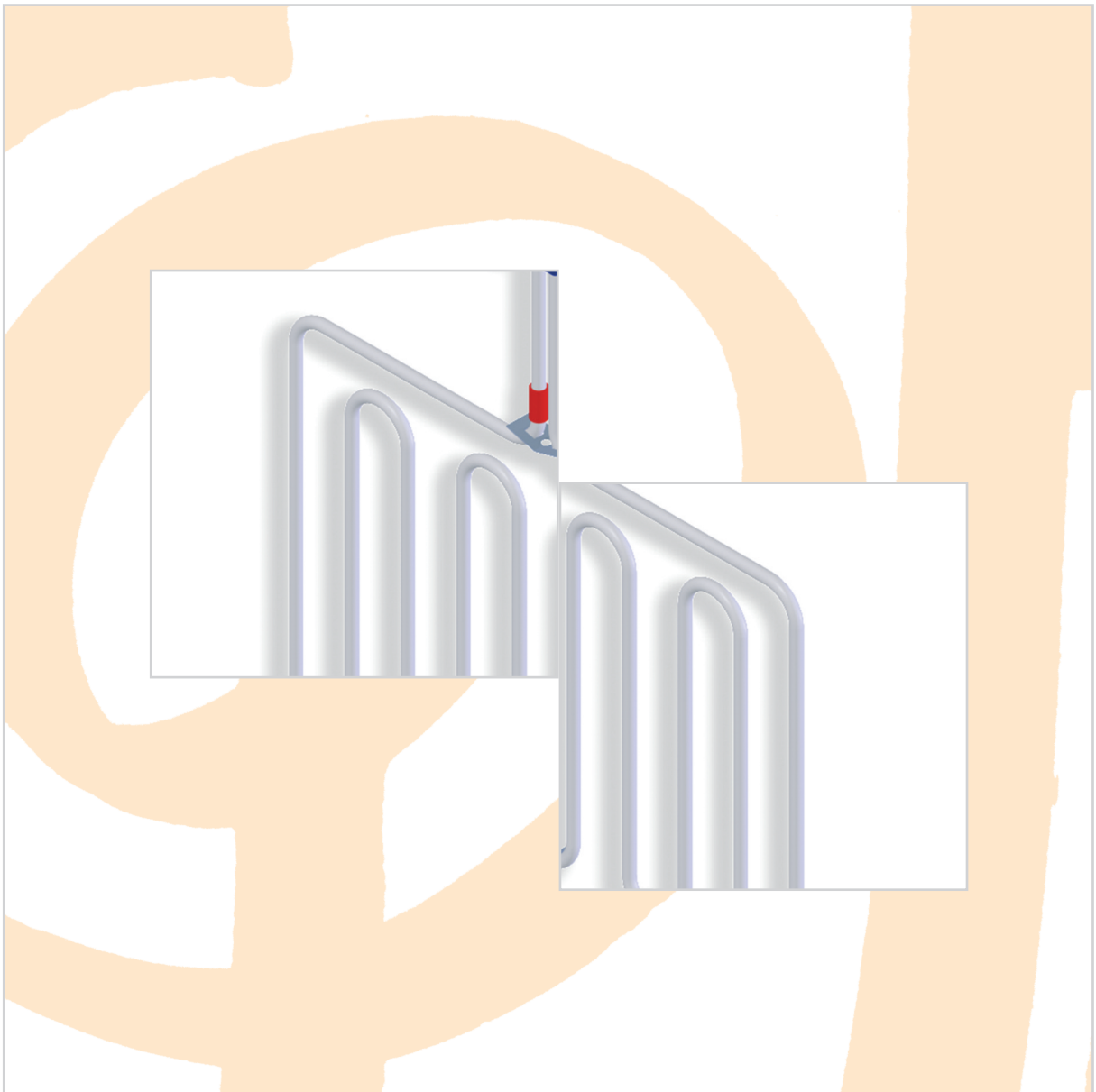
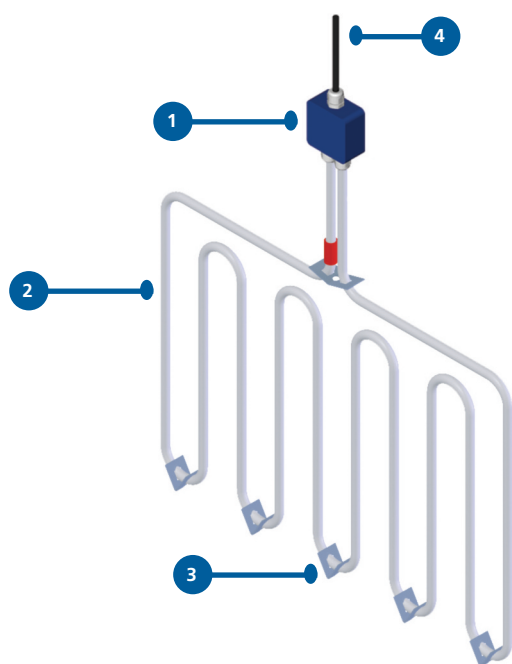


GALVAFLON

screened resistance heater



GALVAFLON



The GALVAFLON heater consists of a stainless-steel heating tube which is coated or not with Teflon® FEP.

The Teflon® FEP coating ensures the chemical resistance to oxidizing agents as well as anti-adhesive properties facilitating the cleaning of the element.

Its low thermic charge (below 2 W/cm²) reduces considerably the time of the encrustation process thus giving the device a longer life-time.

The physio-chemical properties of the liquid heated are also longer maintained, thus decreasing the need for filtration and renewal. At last its small overall dimensions and its bending possibilities permit to match most tank configurations.

Constitution

1 - The PVDF-terminal casing complies to protection IP 65 (splashproof to EN 60529) and resists also the chemical attacks of the vapors produced by the bath. The PVC electrical cable has a standard length of 1,5m.

2 - Heating part

The top of the heating part is indicated by a red mark placed on the resistance (minimum immersion depth). Above this mark, the element is not heated. It is imperative that the heating section be constantly covered with liquid even in the case of a fluctuating level.

All precautions (such as regulation and/or monitoring systems) must thus be taken by the end-user to ensure of a sufficient liquid level.

Moreover and in compliance with european norm EN60519-1/2 the end-user must prevent by all means an overheating of the device.

3 - Teflon® FEP spacers

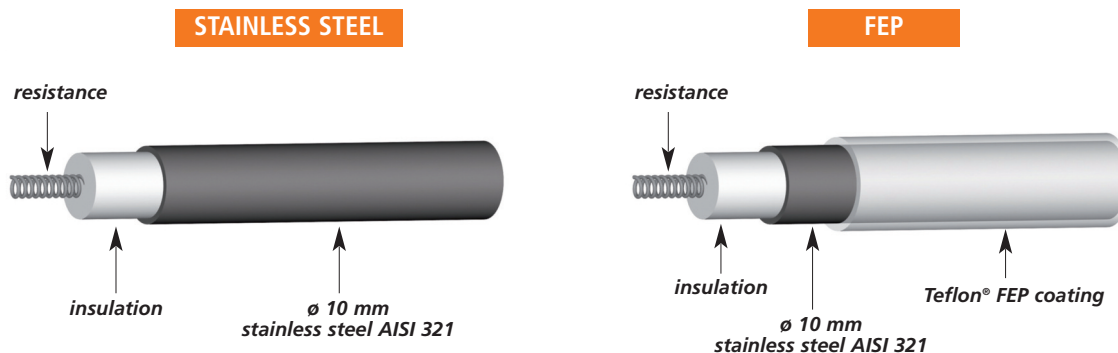
The Teflon® FEP spacers ensure a good spacing between the heater and the tank. Installation on the side of the tank will be eased with a support (available on request) in which one has just to encase the heater's connection thus making easier maintenance and monitoring.

4 - Electrical cable (in PVC)

of type HO5VVF, standard length 1500 mm

GALVAFLO

Types of screened resistance heater



Powers

1kW - 2 kW - 2,5kW - 3 kW

Voltage

230 V 1ph, 50 hz

Outside diametre stainless steel shield : 10 mm

Outside diametre with FEP coating : 12 mm

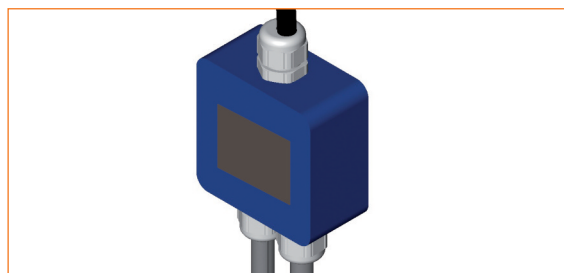
Coating thickness : 1 mm

Electrical cable

Standard length 1500 mm delivered without plug
of type HO5VVF

Terminal casing

IP 65 with power, reference and serial number on a label



Security

According to european norm EN 60519-1/2 the end-user must ensure himself to respect the operating conditions of the device.

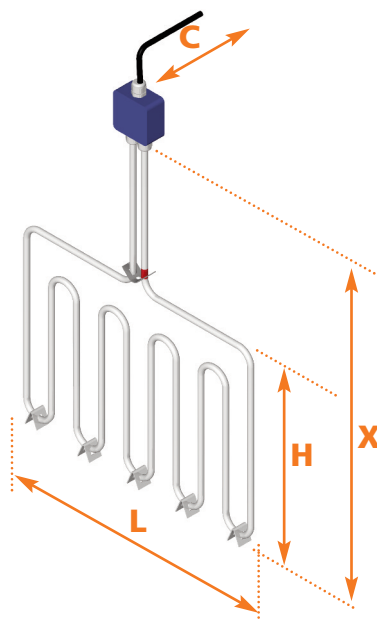
The end-user must provide the tank used to heat the products safety measures such as level and temperature monitoring. Any excessive variation of one of these parameters may lead to serious damages on the security of the installation.

We keep at your disposal adequate devices and will help you to make your choice.

These devices comply with safety class I, all metallic parts being connected to the protective conductor. To ensure this protection level, the yellow -green conductor must absolutely be connected to the earth. In order to detect any current leak it is imperative that the devices be fitted to a circuit breaker with a tripping current of 30mA.

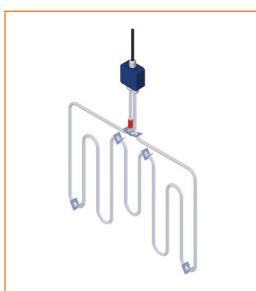
update 10-02-12

REFERENCES GALVAFLON



1 kW	L=205 H=365 X=970	L=340 H=250 X=810	L=465 H=195 X=705	-
	FEP R 04 102 F 970 1R1	R 06 102 F 810 1R1	R 08 102 F 705 1R1	
	INOX R 04 102 I 970 1R1	R 06 102 I 810 1R1	R 08 102 I 705 1R1	
2 kW	L=205 H=785 X=1305	L=340 H=525 X=1005	L=465 H=400 X=805	L=600 H=320 X=665
	FEP R 04 202 F 1305 1R1	R 06 202 F 1005 1R1	R 08 202 F 805 1R1	R 10 202 F 665 1R1
	INOX R 04 202 I 1305 1R1	R 06 202 I 1005 1R1	R 08 202 I 805 1R1	R 10 202 I 665 1R1
2,5 kW	L=205 H=990 X=1360	L=340 H=660 X=985	L=465 H=500 X=750	L=600 H=405 X=605
	FEP R 04 252 F 1360 1R1	R 06 252 F 985 1R1	R 08 252 F 750 1R1	R 10 252 F 605 1R1
	INOX R 04 252 I 1360 1R1	R 06 252 I 985 1R1	R 08 252 I 750 1R1	R 10 252 I 605 1R1
3 kW	L=205 H=990 X=1360	L=340 H=660 X=985	L=465 H=500 X=750	L=600 H=405 X=605
	FEP R 04 302 F 1360 1R1	R 06 302 F 985 1R1	R 08 302 F 750 1R1	R 10 302 F 605 1R1
	INOX R 04 302 I 1360 1R1	R 06 302 I 985 1R1	R 08 302 I 750 1R1	R 10 302 I 605 1R1

All dimensions are given with a tolerance of +/- 10 mm



2,5 kW	L=340 H=660 X=1100	L=465 H=500 X=970	L=600 H=405 X=820
	FEP R 06 252 F 1100 1R1	R 08 252 F 970 1R1	R 10 252 F 820 1R1
	INOX R 06 252 I 1100 1R1	R 08 252 I 970 1R1	R 10 252 I 820 1R1
3 kW	L=340 H=660 X=1100	L=465 H=500 X=970	L=600 H=405 X=820
	FEP R 06 302 F 1100 1R1	R 08 302 F 970 1R1	R 10 302 F 820 1R1
	INOX R 06 302 I 1100 1R1	R 08 302 I 970 1R1	R 10 302 I 820 1R1

All dimensions are given with a tolerance of +/- 10 mm

OPTION : the connection and/or the heating part may be delivered with a 90° curve