

Cylindrical heaters, type P

Galvatherm®

Models adapted to all classical tank configurations and offering a large exchange surface in a minimum bulk.

Installation at the bottom

The Galvatherm heaters are specially designed with a cable that only heats the part that is to be continually immersed.

The cable is composed of a heating resistance insulated with thermal and electric components on which is co-extruded a Teflon® sheath insuring a reliable chemical resistance..

The cable is rolled up according dimensions & shapes proposed and held with PVDF or PP strips which ensure the right distance between the rolls. To secure completely the heating part it is then mounted on a plastic rod in PVDF or PP.

Electric safety : the Galvatherm heater complies with protection class 1 of EN 60519-1/2. The cable is screened throughout the entire length by a copper earthing strip. The earthing must be connected to the earth. In order to provide maximum safety, a fault-current (FI) protection device (30mA) should be used.



Assembly type convenient for immersion heaters with diameter 85 mm and 120 mm

A = heating part

X = overall height

The X length cannot exceed 1800 mm

On a plastic rod structure (Ø 20 mm) in PP or PVDF

Options and Accessories

The Galvatherm heater is only planned to heat liquids.

Extra length of cables



Electrical connecting cable C of type H05 VV-F (PVC) or H07 RN-F (Neopren)

Non heating cable N to go out of the tank

Removable guard



Perforated plastic guard in PP only
For C85 and C12 models

Ref : PRCPP

Cable-gland Ø75 mm



Allow between 200 to 300 mm extra on the H length (H=installation height on N)

Ref in PP : PEPP
Ref in PVDF : PEPF



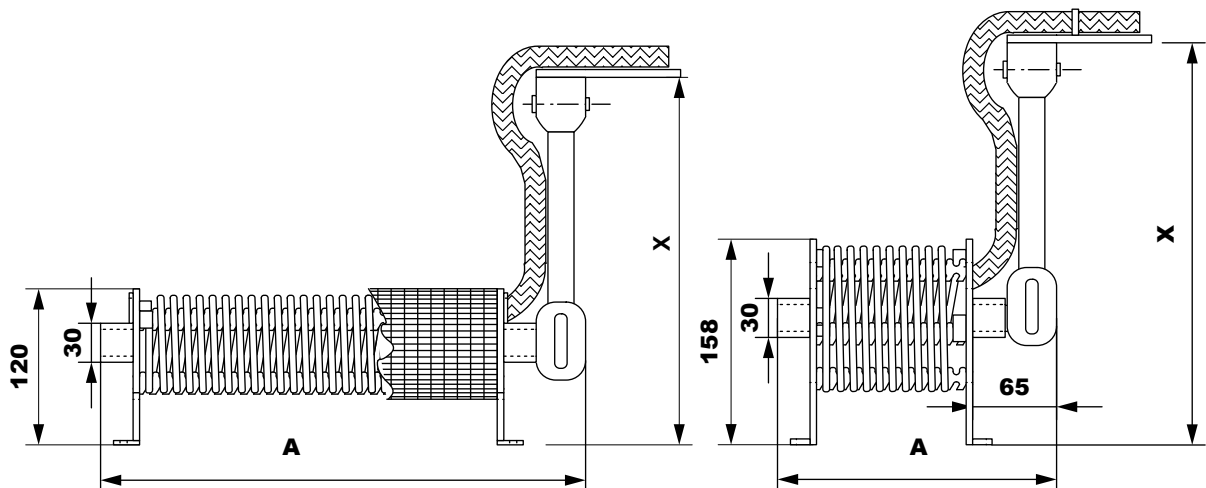
Cylindrical heaters, type P

Galvatherm®

Single-phase					Three-phases				
kW	ØD	A	230V		kW	ØD	A	230V	400V
M O N T A G E P									
0.5 kW	sg-ph	85	225	C85052	1.5 kW	3-ph	85	505	C85154 C85155
1 kW	sg-ph	85	320	C85102	3 kW	3-ph	85	815	C85304 C85305
1.5 kW	sg-ph	85	370	C85152	4.5 kW	3-ph	85	960	C85454 C85455
2 kW	sg-ph	85	450	C85202	4.5 kW	3-ph	125	630	C12454 C12455
3 kW	sg-ph	85	680	C85302	6 kW	3-ph	85	1200	C85604 C85605
4 kW	sg-ph	85	790	C85402	6 kW	3-ph	125	780	C12604 C12605
5 kW	sg-ph	85	900	C85502	9 kW	3-ph	125	1200	C12904 C12905
6 kW	sg-ph	85	1200	C85602	12 kW	3-ph	125	1380	C12124 C12125
6 kW	sg-ph	125	780	C12602	15 kW	3-ph	125	1590	C12134 C12135

ØD = outside diameter
 A = overall length of the heating part
 All dimensions are given ± 10 mm

Other voltages available : • 110V single-phase : from 0.5 kW to 2 kW • 460V single-phase : from 1 kW to 6 kW • 460V three-phases : from 3 kW to 15 kW • Standard cable coating in FEP single layer. Other coatings, please contact us for the choice. For the construction of the reference, see following page.



C85 (ø 85 mm)

C12 (ø 125 mm)



Construction of the reference number

C85	00	05	2	0	F	0	0	S	1
diametre code	dim. code	power code	voltage code	0	cable code	N length code	C length code	assembly code	materials code
C85 = 85 mm C12 = 125 mm	00	05 = 0.5 kW 10 = 1 kW 15 = 1.5 kW 20 = 2 kW 30 = 3 kW 40 = 4 kW 45 = 4.5 kW 50 = 5 kW 60 = 6 kW 90 = 9 kW 12 = 12 kW 13 = 15 kW	1 = 110V M 2= 230V M 3= 460V M 4 = 230V T 5= 400V T 6= 460V T	0	F G P D	0 = 1m 1 = 1,5m 2 = 2 m 3 = 2,5m 4 = 3m 5 = 3,5m 6 = 4m 7 = 4,5m 8 = 5m 9 = sup.5m	0 = 1m 1 = 1,5m 2 = 2 m 3 = 2,5m 4 = 3m 5 = 3,5m 6 = 4m 7 = 4,5m 8 = 5m 9 = sup.5m	P	1 2

Cable code details

- F = FEP single layer 1 W/cm²
- G = FEP double layer 1 W/cm²
- P = PFA single layer 1 W/cm²
- D = PFA double layer 1 W/cm²

Assembly code details

P = perpendicular

Support materials code

code	strips	other pieces
1 =	PVDF	PVDF
2 =	PP	PP